

MODEL RS-5000 TRAILER TOP SEAL

RAINSHIELD™ CREATES A SAFER DOCK ENVIRONMENT AND PROTECTS PROPERTY BY DIVERTING WATER BEFORE IT REACHES YOUR DOOR SEAL. ESPECIALLY EFFECTIVE WITH A DECLINE APPROACH, RAINSHIELD™ PUSHES DOWN ACROSS THE FULL WIDTH OF THE TRAILER TOP. SMART AND SIMPLE DESIGN POSITIONS AUTOMATICALLY WITH NO MAINTENANCE AND IS EASILY INSTALLED ABOVE AN EXISTING DOCK SEAL.



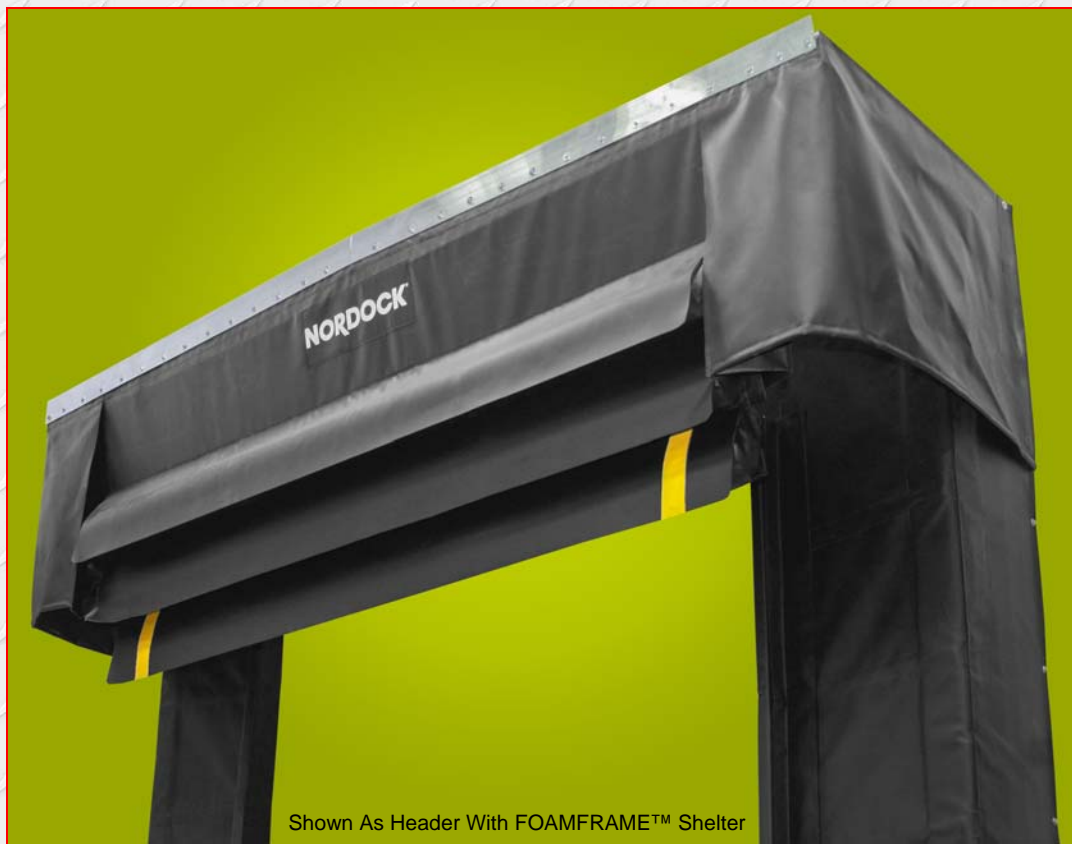
FEATURE SUMMARY

- Provides Maximum Weather-Tight Seal To Prevent Moisture From Affecting Loading Dock Operations
- Positions Automatically With No Manual Activation Required
- Easy Installation Above New or Existing Dock Seals
- Simple Effective Design With No Required Maintenance
- Extra Wide Construction Ensures The Full Width of The Trailer Top Is Sealed
- Double Layer of 40 oz WearTough™ Fabric Plus Additional Wear Pleats in Corners
- All Seams Double Lock Stitched With High Strength Thread
- Pressure Treated Superior Grade Lumber Head Frame Covered With Translucent Sheeting
- Dual Density Foam Core For Extended Seal Life
- Rugged Galvanized Steel Mounting Hardware Eliminates Corrosion.

Dedicated People ~ Superior Products

RAIN-STOP™ MODEL RS-9000

EXTENDED RANGE TRAILER TOP SEAL



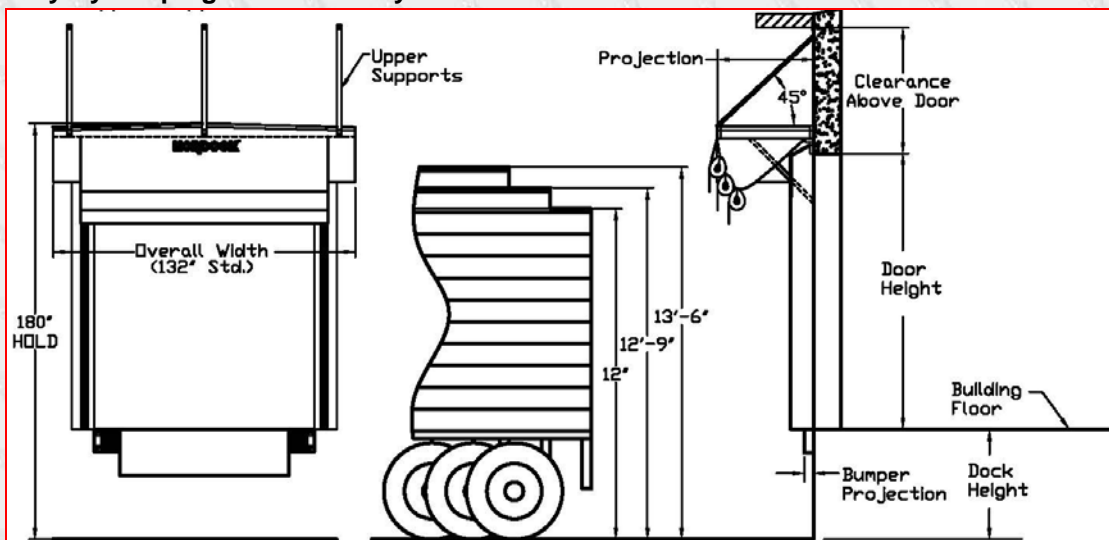
Shown As Header With FOAMFRAME™ Shelter



RAIN-STOP™ Model RS-9000 Can Be Used With Foam Pad Seals or As Headers For Rigid Frame and FOAMFRAME™ Shelters

FEATURE SUMMARY

- Patent Pending Design Allows For Extended Range Seal of Trailers Tops 12'0" to 13'6" Off Grade
- Multiple Foam Wrapped Weighted Lobes Stop Rain, Snow & Ice From Entering Loading Dock Area From Trailer Top
- Increases Safety By Keeping Dock Area Dry
- Translucent Fiberglass Raked Header with Pressure Treated Lumber Structure
- Upper Supports For Extreme Weather Conditions
- Galvanized Steel Trim, Supports & Mounting Hardware



Shown With Foam Pad Seal