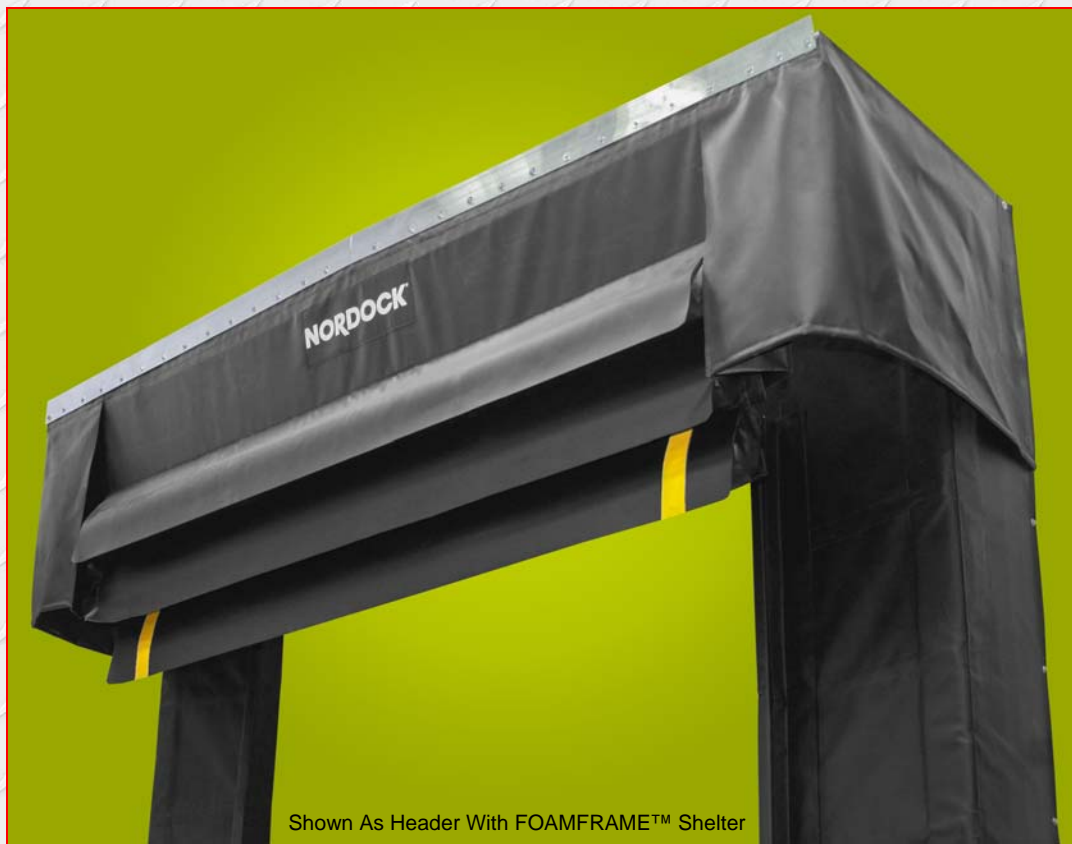


RAIN-STOP™ MODEL RS-9000

EXTENDED RANGE TRAILER TOP SEAL



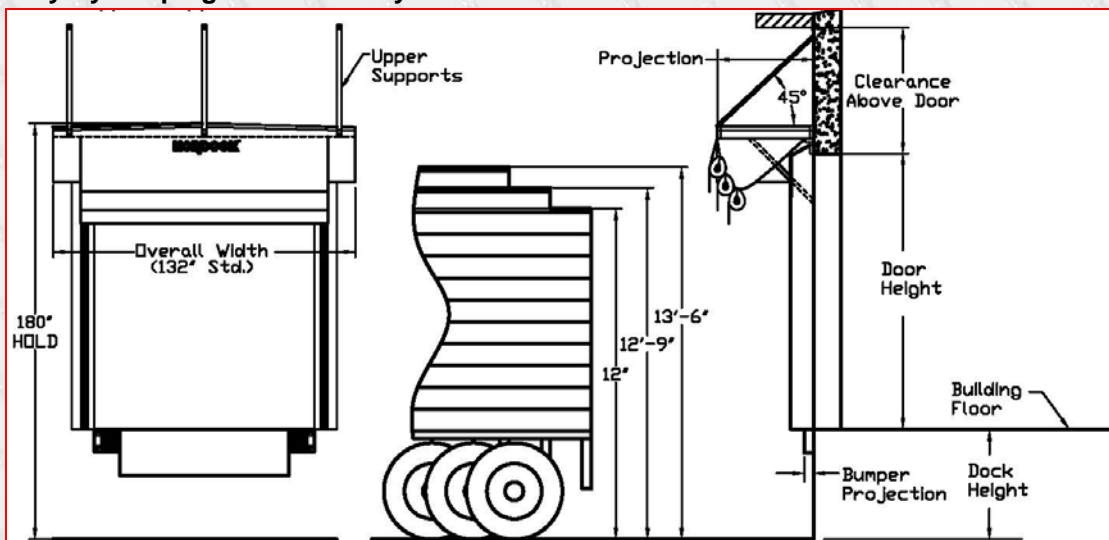
Shown As Header With FOAMFRAME™ Shelter



RAIN-STOP™ Model RS-9000 Can Be Used With Foam Pad Seals or As Headers For Rigid Frame and FOAMFRAME™ Shelters

FEATURE SUMMARY

- Patent Pending Design Allows For Extended Range Seal of Trailers Tops 12'0" to 13'6" Off Grade
- Multiple Foam Wrapped Weighted Lobes Stop Rain, Snow & Ice From Entering Loading Dock Area From Trailer Top
- Increases Safety By Keeping Dock Area Dry
- Translucent Fiberglass Raked Header with Pressure Treated Lumber Structure
- Upper Supports For Extreme Weather Conditions
- Galvanized Steel Trim, Supports & Mounting Hardware



Shown With Foam Pad Seal