



# COUNTER FIRE DOOR

## Advantages

Made in Canada for Canadian conditions.

Rugged 2" flat slats.

Compact mechanical governor controls automatic closing speed of 6" to 2' per second.

Approved for all wall types (concrete, masonry, structural steel, structural steel with gypsum board, gypsum wall partition with minimum 16ga. metal or wood stud).

Resetting is simple and can be performed by a single technician.

Reset from one side of opening, reducing testing costs.

## Features

2C flat slat curtain, 22ga. steel.

Corrosion resistant grey prime finish.

Oil tempered springs for higher cycle life.

1 year warranty.

3/4, 1 1/2 and 3 hour label (for installation in concrete, masonry, structural steel or gypsum board walls).

4 hour label available (for masonry applications).

Oversized labels available.

## Options

Push up, crank or motor operation.

Solenoid release with 30 sec time delay or 72hr battery back-up.

## Benefits

Ease of installation and resetting.

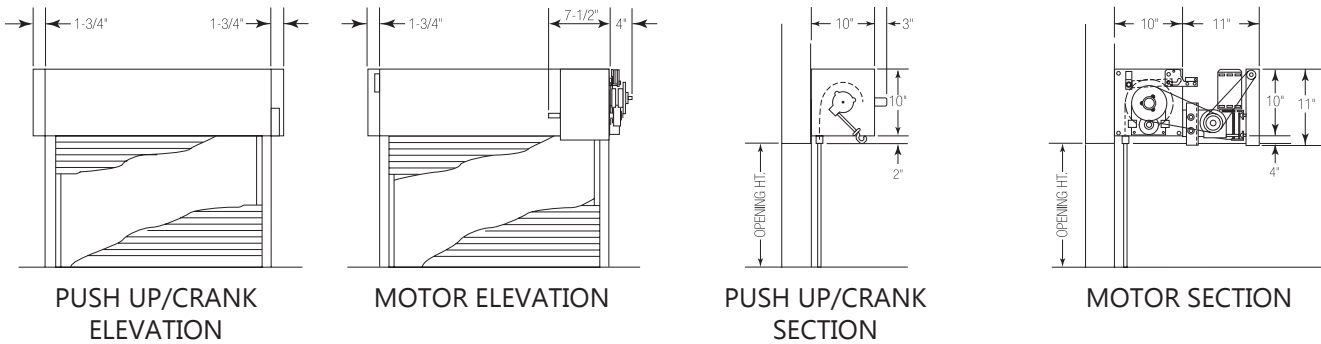
Ensures years of trouble free operation.

Best value for the price.

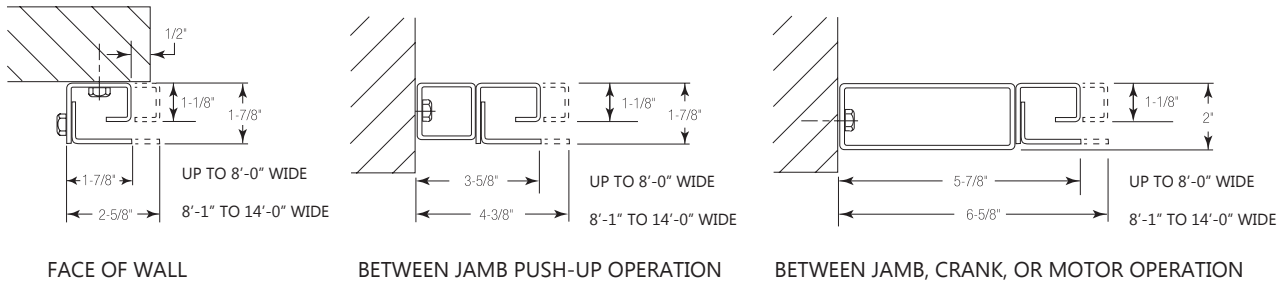


# COUNTER FIRE DOOR DETAILS

## TYPICAL DETAILS



## GUIDE DETAILS



## AREA CHART

